

# 0.5 Gallon

FOR THERMAL AND GLASS SERVERS

## POUROVER COFFEE BREWERS

### CBS-2121-P

0.5G Pourover Coffee Brewer  
for thermal servers

Shown with #D055 (0.5G Stainless Steel Thermal Server). Sold separately.



### CBS-2121-PW

0.5G Pourover Coffee Brewer  
for glass servers

Shown with #D068 (0.5G Glass Server). Sold separately.

The 0.5G CBS-2121 Series Pourover Coffee Brewers are the solution for small venue operators who need a way to offer guests, employees, or customers a fresh cup of coffee. The simple design allows for any staff level to make brewing a single pot of coffee quick and efficient for a busy behind-the-counter coffee service or a unique self-serve, guest experience. Elegant front-of-house looks and reliable performance make these cost-effective coffee brewers a great fit for your diner, office break room, coffee shop, or dining hall.



#### Self-Adjusting Warmers with Temperature Limiting Technology (CBS-2121-PW)

Resists overheating and maintains optimal serving temperature. Saves energy and helps preserve freshness (unlike some competitors' models that continuously heat).



#### Dedicated On/Off Switch

Lighted switch located on front panel for easy access and power control.



#### Ready LED Light

Bright green LED illuminates when ready to brew.

#### Simple Switch Interface

Dedicated switches with icons for top and bottom warmers.

**FETCO**<sup>®</sup>  
TRUSTED | RELIABLE | QUALITY



# Pourover Coffee Brewer

# Technical Specifications

## Water Specification

## Calibration

Water Tank Capacity:  
1.4 Gallon [5.2 liter]

Server / Dispenser:  
64 fl. oz. [1.8 liter]

Coffee Dose (105g):  
3.5-4.0 ounce throw [100-115g]

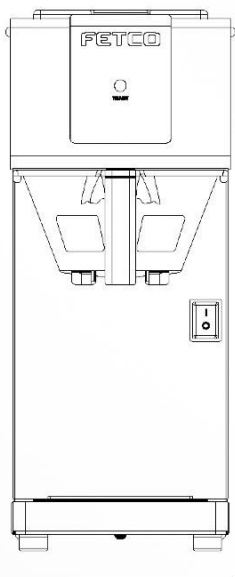
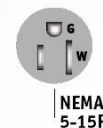
Brew Time:  
Approx. 5 minutes with final drip out

## Electrical Configuration

Configuration Code	Warmers	Voltage	Phase	Wires	KW	Electrical Connection	Max Amp Draw
US / CANADA							
C212101	–	120	1	2+G	1.4	NEMA 5-15P	11.1
C212111	2	120	1	2+G	1.6	NEMA 5-15P	13.3

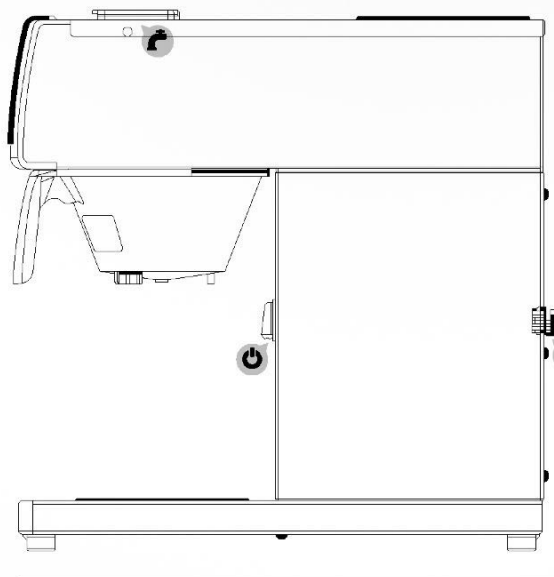
## Measurements

Model	Height	Width	Depth	Empty Weight	Filled Weight
C212101 / C212111	19" [48.3 cm]	7 <sup>5</sup> / <sub>8</sub> " [19.4 cm]	19" [47.0 cm]	17 lbs [7.7 kg]	28.4 lbs [12.9 kg]
Shipping					
C212101 / C212111	20 <sup>3</sup> / <sub>4</sub> " [52.4 cm]	10 <sup>3</sup> / <sub>4</sub> " [27.3 cm]	12 <sup>1</sup> / <sub>4</sub> " [54.0 cm]	23 lbs [10.4 kg]	–



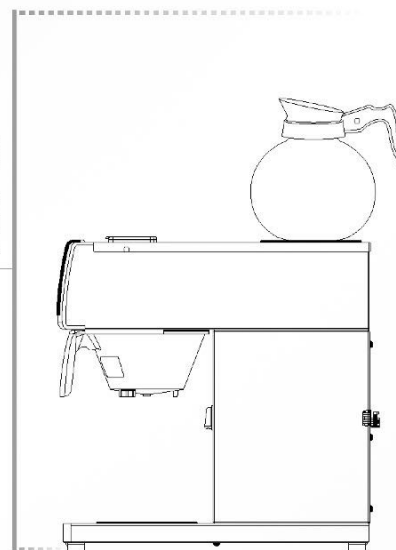
19"  
[48.3 cm]

7-3/4"  
[19.4 cm]



19"  
[48.3 cm]

Recommended clearance  
for proper operation of  
Pourover Coffee Brewer  
is minimum 30" [77.0 cm]  
from top of the counter.



## Compatible Servers

#D055  
0.5G Stainless Steel Thermal Server  
for C212101 Pourover Coffee Brewer

Product Dimensions  
(Height x Width x Depth):  
7<sup>1</sup>/<sub>4</sub>" x 6<sup>3</sup>/<sub>4</sub>" x 9<sup>1</sup>/<sub>4</sub>"  
[18.4 x 17.1 x 23.5 cm]

Weight (Empty / Filled)  
1.9 lbs [0.9 kg] /  
6.1 lbs [2.8 kg]



#D068  
0.5G Glass Server  
Black Handle / Regular  
for C212111 Pourover Coffee Brewer

Product Dimensions  
(Height x Width x Depth):  
6<sup>4</sup>/<sub>5</sub>" x 6<sup>3</sup>/<sub>8</sub>" x 9"  
[17.2 x 16.1 x 22.8 cm]

Weight (Empty / Filled)  
0.8 lbs [0.4 kg] /  
3.9 lbs [1.7 kg]



#D069  
0.5G Glass Server  
Orange Handle / Decaf  
for C212111 Pourover Coffee Brewer

## Paper Filter

#F003  
9<sup>3</sup>/<sub>4</sub>" x 4<sup>1</sup>/<sub>2</sub>"  
Standard Paper  
Coffee Filter



## Information

🖱️ [fetco.com](http://fetco.com)

✉️ [info@fetco.com](mailto:info@fetco.com)

☎️ 847.719.3000  
1.800.338.2699 USA  
📠 847.719.3001

🏠 Food Equipment Technologies Co.  
600 Rose Road  
Lake Zurich, IL 60047  
USA